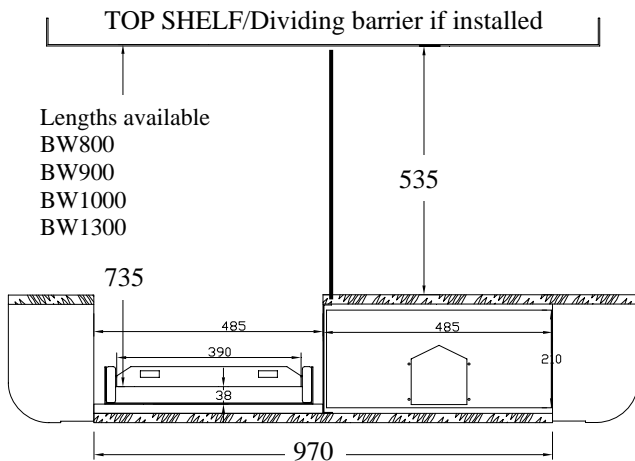


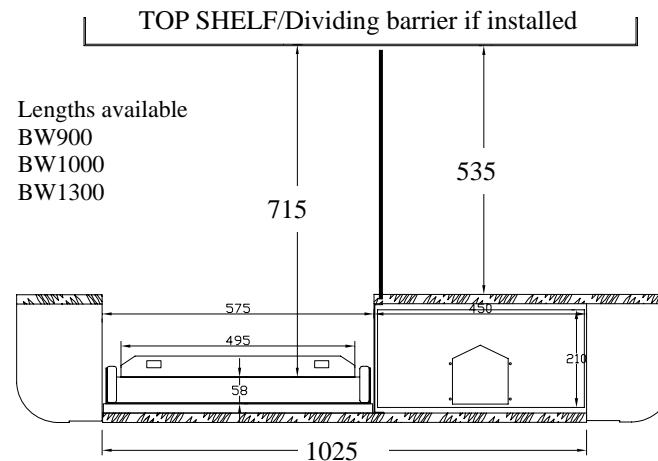
Black Widow Vehicle storage ro- TOURER CONFIGURATIONS AND DIMENSIONS

Note: Measurements on lengths are for the bottom drawer.
If a top drawer is installed as per the Tourer 2L series, it
100 mm shorter than the bottom drawer.



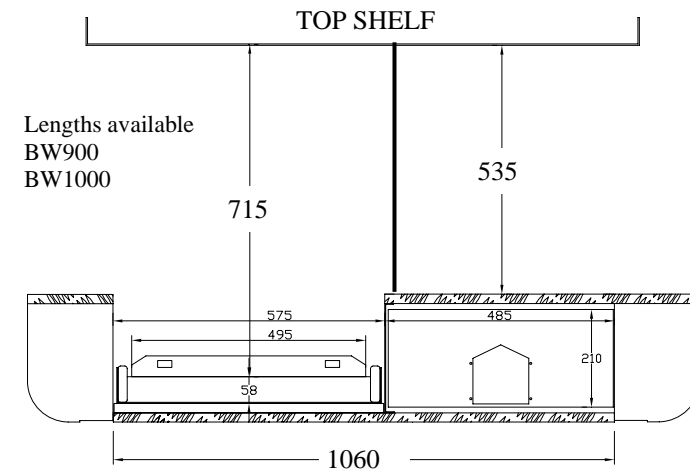
TOURER 970 1L– SINGLE LEVEL DRAWER WITH A LOW SLIDE. FITS ALL VEHICLES THAT SUIT A STANDARD TWIN DRAWER SYSTEM

USES A BLACK WIDOW HDFS 390– WILL FIT up to 40L ENGEL AND up to 60L WAECO FRIDGES or similar



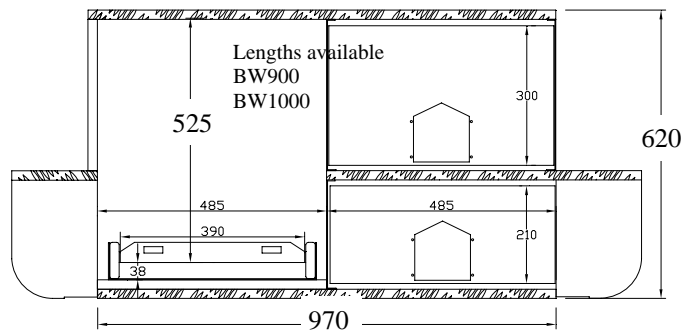
TOURER 1025 1L– FITS LANDCRUISER 200 SERIES, 76 SERIES LANDCRUISER, 75-79 SERIES TROOPY AND 120 SERIES PRADO.

USES A BLACK WIDOW HDFS 810- WILL FIT 60 & 80L ENGEL AND WAECO FRIDGES to 110L or similar



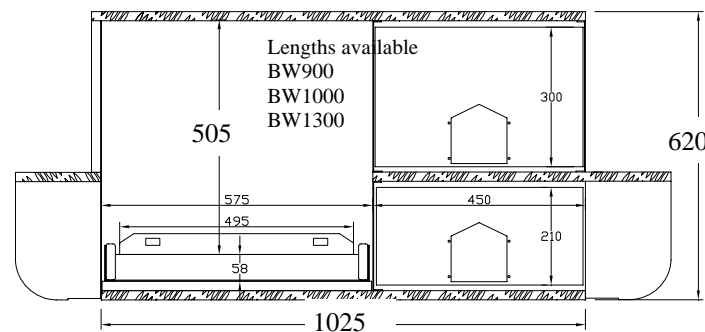
TOURER 1060 1L– FITS 80, 100 SERIES LANDCRUISER AND GQ AND GU PATROL.

USES A BLACK WIDOW HDFS 810- WILL FIT 60&80L ENGEL AND WAECO FRIDGES to 110L or similar



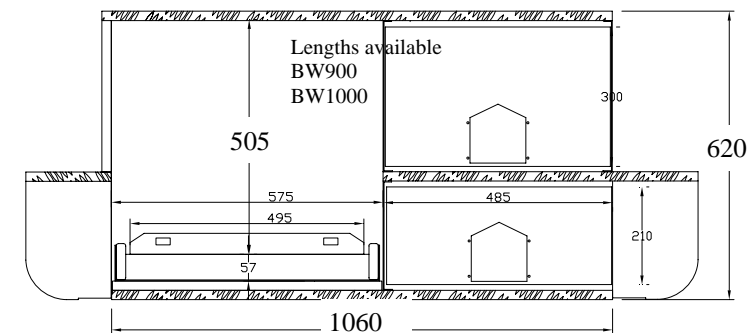
TOURER 970 2L– TWO LEVEL DRAWER SYSTEM WITH A LOW SLIDE. FITS ALL VEHICLES THAT ACCOMMODATE A STANDARD TWIN DRAWER SYSTEM

USES A BLACK WIDOW HDFS 390- WILL FIT 40L ENGEL AND up to 50L WAECO FRIDGES or similar



TOURER 1025 2L– FITS LANDCRUISER 200 SERIES, 76 SERIES LANDCRUISER, 75-79 SERIES TROOPY AND 120 SERIES PRADO.

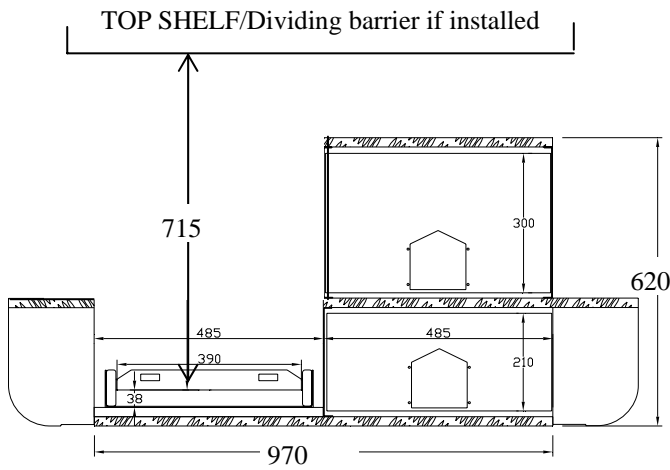
USES A BLACK WIDOW HDFS 810– WILL FIT ENGEL 60LAND WAECO 80L or similar



TOURER 1060 2L– FITS 80, 100 SERIES LANDCRUISER AND GQ, GU PATROL.

USES A BLACK WIDOW HDFS 810- WILL FIT ENGEL 60L AND WAECO 80L or similar

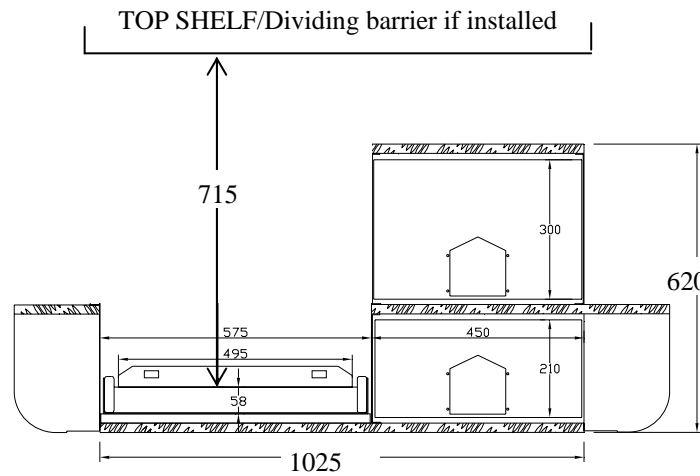
Tourer 2L/B



TOURER 970 2L/B- TWO LEVEL DRAWER SYSTEM WITH A LOW SLIDE. HAS NO COVER OVER FRIDGE FOR LARGER FRIDGES. FITS ALL VEHICLES THAT ACCOMMODATE A STANDARD TWIN DRAWER SYSTEM

USES A BLACK WIDOW HDFS 390- WILL FIT 40L ENGEL AND up to 60L WAECO FRIDGES or similar WILL ALSO ACCEPT TWO ZONE FRIDGE EXTENSIONS

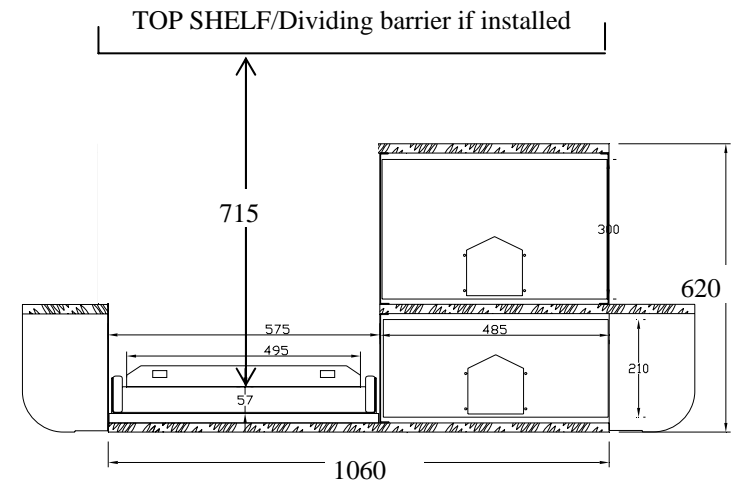
Lengths available
 BW900
 BW1000



TOURER 1025 2L/B- TWO LEVEL DRAWER SYSTEM WITH A LOW SLIDE. HAS NO COVER OVER FRIDGE FOR LARGER FRIDGES. FITS ALL VEHICLES THAT ACCOMMODATE A STANDARD TWIN DRAWER SYSTEM

USES A BLACK WIDOW HDFS 810- WILL FIT 60 & 80L ENGEL AND up to 110L WAECO FRIDGES or similar WILL ALSO ACCEPT TWO ZONE FRIDGE EXTENSIONS

Lengths available
 BW900
 BW1000
 BW1300



TOURER 1060 2L/B- TWO LEVEL DRAWER SYSTEM WITH A LOW SLIDE. HAS NO COVER OVER FRIDGE FOR LARGER FRIDGES. FITS ALL VEHICLES THAT ACCOMMODATE A STANDARD TWIN DRAWER SYSTEM

USES A BLACK WIDOW HDFS 810- WILL FIT 60 & 80L ENGEL AND up to 110L WAECO FRIDGES or similar WILL ALSO ACCEPT TWO ZONE FRIDGE EXTENSIONS

Lengths available
 BW900
 BW1000